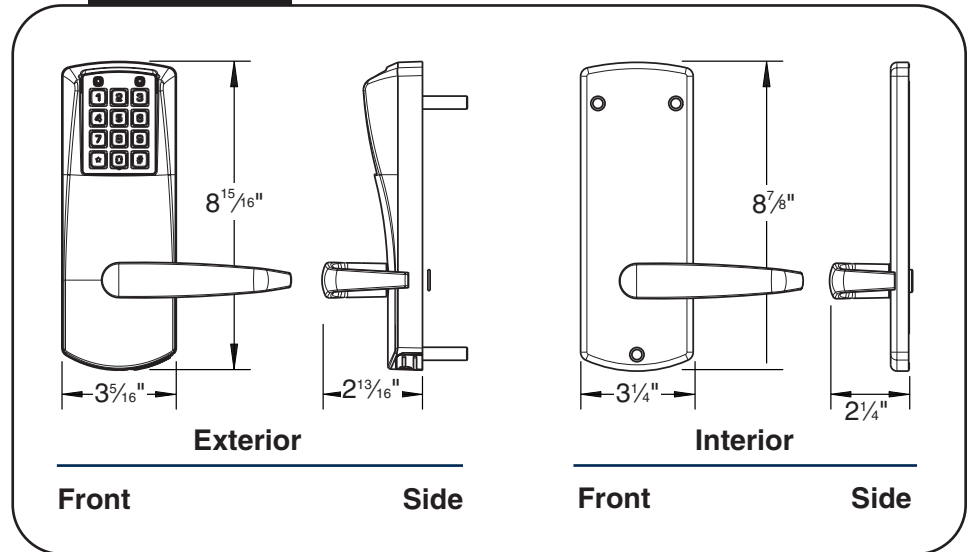




Dimensions



Features

Access Control:	Electronic pushbutton lock – eliminates problems and costs associated with issuing, controlling and collecting keys and cards	
Locking Device:	Cylindrical latch with UL 10C fire rating	
Number of Codes:	100 access codes per door; over 100 million possible code combinations	
Programming:	Locks are easily programmed via keypad	
Handing:	Non-handed, pre-assembled for left-hand door installations - easily changed in the field	
Key Override:	Optional key-in-lever cylinder in Schlage C Keyway with black Kaba cap (as shown above in picture)	
Operation Modes:	3 operation modes	PIN access Lockout Passage – can be toggled on / off or can be pre-programmed to re-lock after a certain number of hours
Authority Levels:	Four different levels allow you to control who has access to specific lock functions, including: Service codes - programmed for one time access or "come and go" access for 1 to 24 hours	
User Parameters:	Code length	Adjustable to accept 4 to 8 digits
	Anti-tamper lockout	Adjustable from 3 to 9 invalid attempts with an adjustable period of 0 to 90 seconds
	Re-lock time	Adjustable from 2 to 20 seconds
Battery Operation:	Batteries located in exterior housing; offers quick and easy battery replacements for institutions (Three AA Alkaline batteries provide more than 100,000 cycles) Lock data is maintained if batteries fail	
Ease of Installation:	No wiring to or through the door - no risk of pinched wires	

Mechanical Features

Construction:	Light-duty commercial cylindrical lockset, solid cast exterior housing, solid cast levers, cylindrical drive wear tested for extensive use in indoor and outdoor applications
Numeric Keypad:	Vandal resistant, 12-button, metal keys
Door Handing:	Non-handed, pre-assembled for left-hand door installations – easily changed in the field
Finishes:	Satin Chrome 26D (626) housings & levers Satin Brass 04 (606) housings & levers (optional)
Backsets:	2 ³ / ₄ " (70 mm), 2 ³ / ₈ " (60 mm)
Latch:	1/2" (13 mm) latch, 3/4" (19 mm) latch (optional)
Minimum Stile Recommended:	5" (127 mm)
Weight:	8 lbs. (3.63 kg)

Key Override

Key-In-Lever Cylinder:	Optional Kaba 1539 6-pin cylinder - Schlage C Keyway
-------------------------------	--

Installation

Ease of Installation:	No wiring to or through the door - no risk of pinched wires
Door Preparation:	Easily installs on wood or metal doors. ASA 161 door preparation with 3 additional through bore holes
Door Thickness:	1 ³ / ₈ " (35 mm) to 2 ¹ / ₂ " (64 mm). Pre-assembled to accommodate doors 1 ⁵ / ₈ " (41 mm) to 2" (50 mm)
Items Supplied Include:	Lock assembly, installation manual, template and required hardware
Additional Items Supplied with Key-in-Lever Cylinder Model Only:	Universal Kaba 1539 6-pin cylinder, two nickel silver keys, Schlage C Keyway

Certification and Testing

Accessibility Standard:	Americans with Disabilities Act (ADA)
Fire Rating:	UL 10C Fire rated
Environmental:	Indoor/Outdoor Approved -31° F (-35° C) to + 151° F (66° C)

Warranty

Warranty:	Two-year warranty from date of installation; built-in warranty counter in lock memory
------------------	---