

# AV8185

## 8 Megapixel 180° Panoramic H.264 IP-camera



H.264 Surround Video® Series

### Arecont Vision Advantages:

#### H.264 (MPEG4, Part 10) Compression Standard

- Simultaneous support of both H.264 and MJPEG
- 10x average bandwidth and storage reduction over MJPEG

#### World's First H.264 Panoramic Megapixel Cameras

- 8 megapixel 180° field of view

#### Bit Rate Control

- Maintain desired bandwidth and storage size

#### Real Time Streaming Protocol (RTSP)

- Allows for compatibility with media players such as Apple QuickTime, Windows Media Player, VLC Player, etc.

#### Superior Low Light Performance

- 1/2" CMOS sensor

#### High Definition Panoramic 180° Imaging

- No de-warping software required

#### Unparalleled High Definition Resolution - 1600 x 1200

- Resolution up to 1600(H) x 1200(V) per sensor
- Total resolution: 6400(H) x 1200(V) - (4 x 2 MP)
- Substitute up to twenty-four analog cameras

#### Fastest MegaPixel Image Rates

- Up to 22fps per channel

#### Forensic Zooming

- Zoom live or after-event while recording full field of view in HD ... replace PTZ devices

#### Reduced Overall System Cost

- Less cameras to install, less wiring, no external power (POE), less NVR licensing fees

#### Other key features:

- Moonlight™ Mode - extended exposure and proprietary noise cancellation
- Up to four regions of interest for simultaneous panoramic and digital PTZ viewing and recording
- Image cropping to discard unnecessary scene and more

*The AV8185 network camera is a part of Arecont Vision's full line of H.264 megapixel cameras. This fully compliant implementation of H.264 (MPEG 4, Part 10) is capable of sustaining over 80 billion operations per second and maintaining full motion progressive scan 1600 x 1200 video at 22 fps. Part of the SurroundVideo® line of cameras, it offers bandwidth and storage efficiency of 10X greater on average over MJPEG counterparts.*

Learn more about our products at [www.arecontvision.com](http://www.arecontvision.com)

### Model Numbers:

AV8185

AV8185: 180° Field of View

### Imaging

- Four 2 megapixel CMOS image sensors
- 1600(H) x 1200(V) pixel array each sensor
- 1/2" optical format
- Bayer mosaic RGB filter
- Sensitivity 0.2 Lux @ F2.0
- Dynamic range 60 dB
- Maximum SNR 45 dB
- Moonlight™ mode - extended exposure and proprietary noise cancellation

### Full Field of View (FOV) Resolutions

- 1600(H)x1200(V) x 4                      8 megapixel total
- 800(H)x600(V) x 4                        2 MP total (1/4 resolution)

### Data Transmission

- Data rate up to 55Mbps
- Bit rate control from 100Kbps to 10Mbps
- Bit rate control available for full view, multi-view and archive
- Video frame rate up to:
  - 88 fps @ 800x600
  - 22 fps @ 1600x1200
  - 5.5 fps @ 6400x1200
- Compression type
  - H.264 (MPEG4, Part 10)
  - Motion JPEG
  - 21 levels of quality
- TFTP, HTTP, RTSP image transmission protocols
- 100Base-T Ethernet Network Interface

### Programmability

- Auto exposure (AE) and Gain Control (AGC) >120dB
- On-camera motion detection with 64 detection zones
- Programmable backlight compensation
- Auto multi-matrix white balance
- 50/60Hz selectable flicker control
- Electronic pan, tilt, zoom (PTZ)
- Electronic image rotation - upside-down image turn
- Resolution windowing down to 32x32 pixels window
- Programmable motion blurring control for low-light mode
- Moonlight™ mode - extended exposure and proprietary noise cancellation
- Programmable resolution, brightness, saturation, gamma, sharpness, tint
- Up to four regions of interest for simultaneous panoramic and digital PTZ viewing and recording

### Electrical

- Power Over Ethernet (PoE) or DC input
- Compatible with IEEE 802.3af PoE equipment
- Power consumption 9 Watts maximum

### Regulatory Approvals

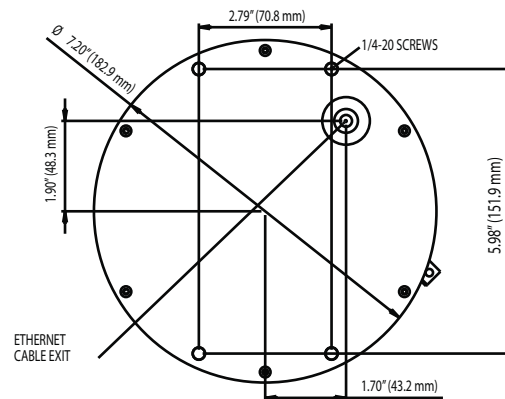
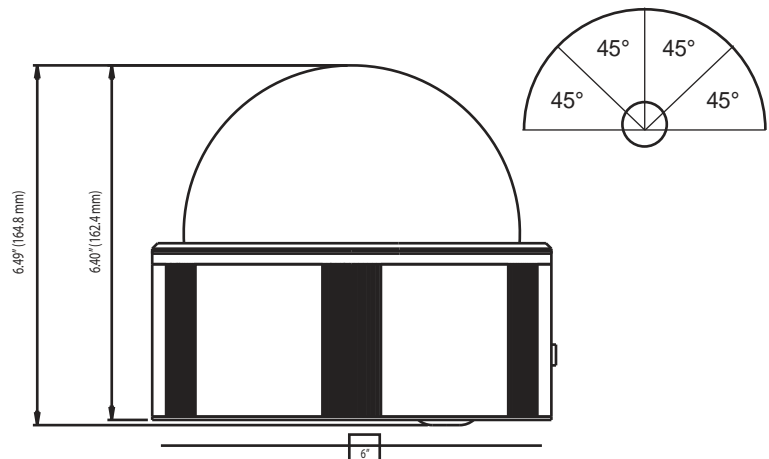
- FCC, CE and RoHS compliant

### Mechanical

- 6.49" (H) (164.8mm) x 6.0" dia. (152.4mm)
- 4 pounds or 1815 grams
- C lens mount

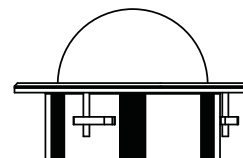
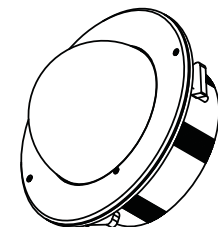
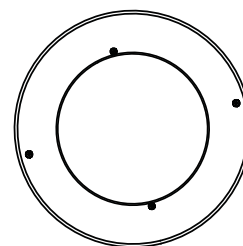
### Environmental

- Operating temperature 0°C (32 °F) to +50°C (122 °F)
- Storage temperature -20°C (-4 °F) to +60°C (140 °F)
- Humidity 0% to 90% (non condensing)



### Accessories:

- Dome 6-I-C Indoor 6" Pendant Dome, Ceiling Mount
- Dome 6-I-W Indoor 6" Pendant Dome, Wall Mount
- Dome 6-O-C Outdoor 6" Pendant Dome, Ceiling Mount
- Dome 6-I-W Outdoor 6" Pendant Dome, Wall Mount
- RD-KIT Recessed Dome Ring Kit



Recessed Dome Ring Kit

**Arecont Vision**  
megapixel technology...  
**beyond imagination**

Made in USA

Revised on 09/28/09